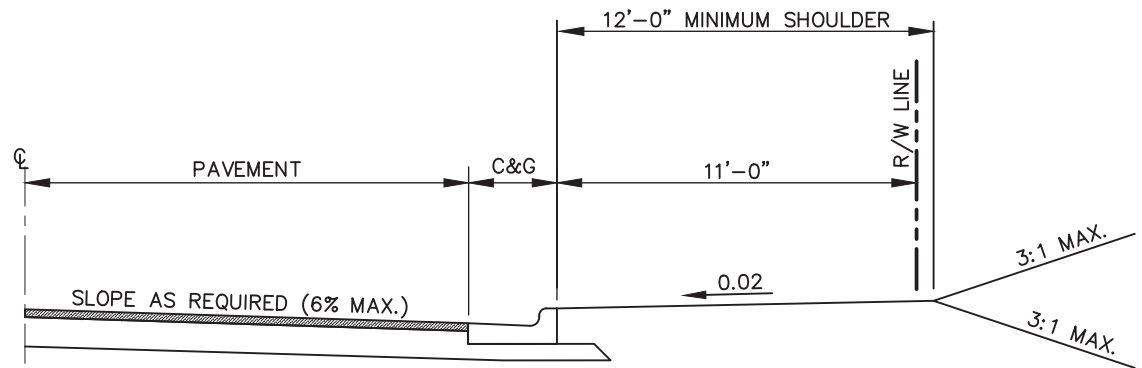
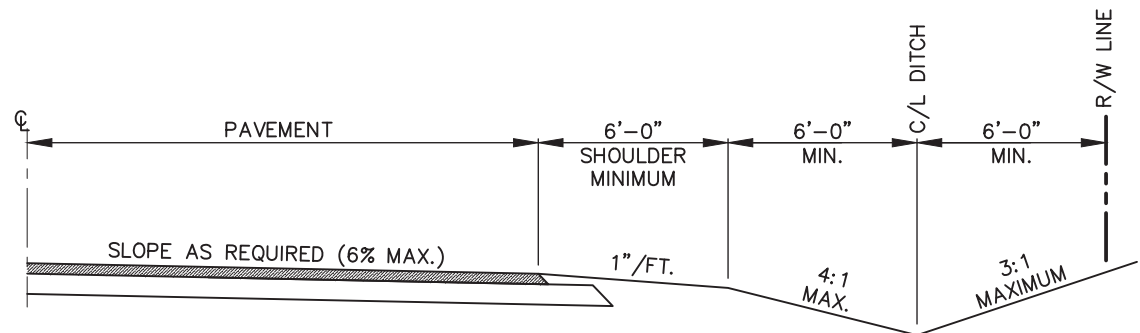


PLAN VIEW



SECTION 'A-A'  
WITH CURB & GUTTER



SECTION 'A-A'  
WITHOUT CURB & GUTTER

**NOTES**

1. RADIUS OF CURVATURE IS 50'
2. MINIMUM RIGHT-OF-WAY WIDTH IS 50'
3. MINIMUM PAVEMENT WIDTH IS 37.5'
4. STREET TREES REQUIRED PER APPROVED PLAN. A MINIMUM 5' TREE EASEMENT IS REQUIRED

**STANDARD CUL-DE-SAC**



EFFECTIVE: 12/13/21

**TOWN OF PITTSBORO**

STANDARD CONSTRUCTION  
DETAIL

STANDARD NO: ST-08-002