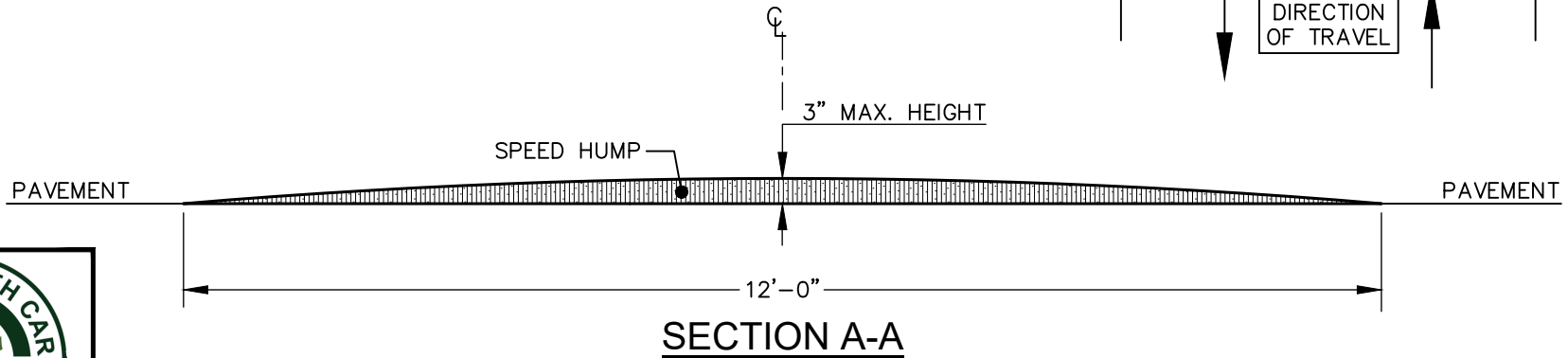
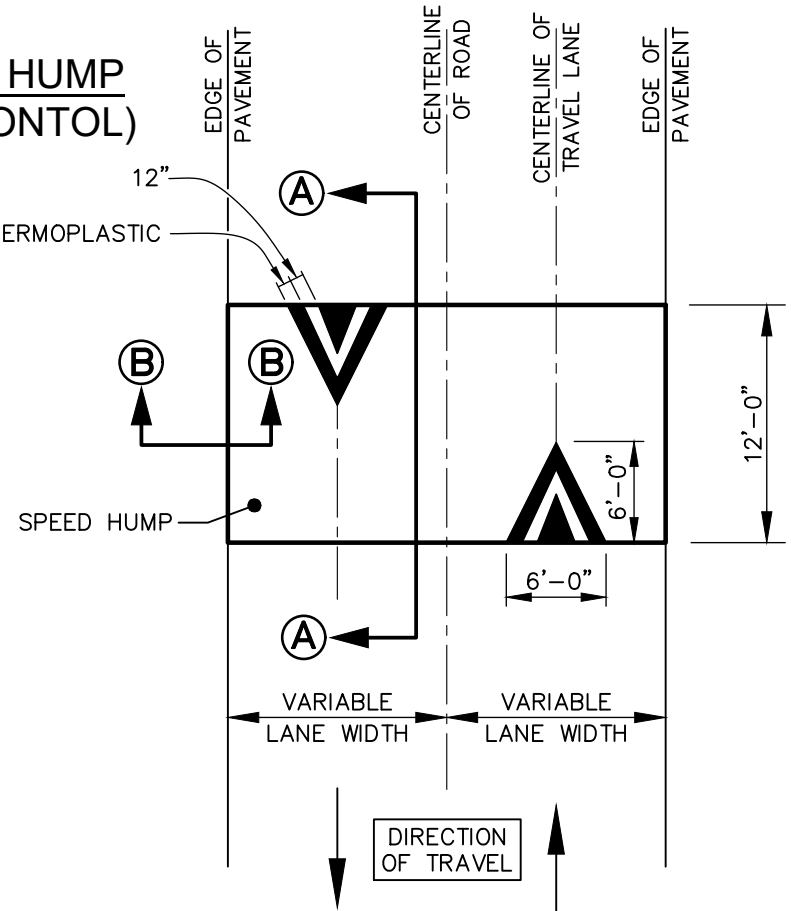
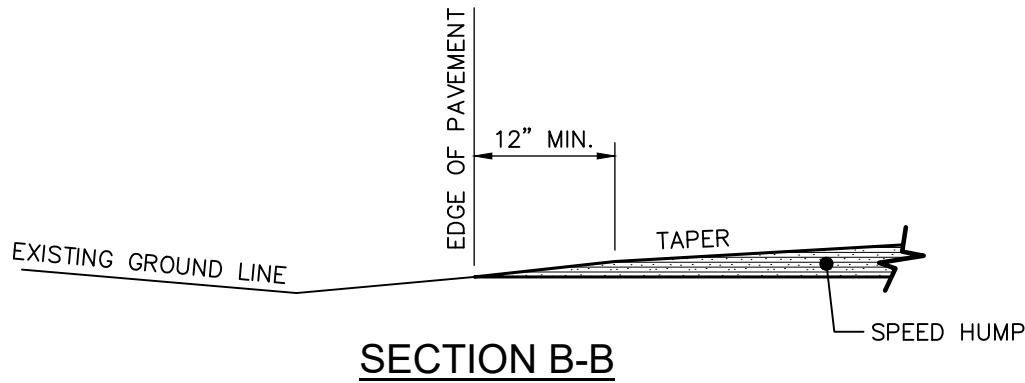


NOTE:

PARABOLIC SPEED HUMPS ARE NOT TO BE USED ON PUBLIC OR PRIVATE STREETS AND SHOULD ONLY BE USED IN PAVED AREAS OUTSIDE OF STREETS, SUCH AS PARKING LOTS.

SPEED HUMP (HORIZONTAL)

12" SOLID WHITE THERMOPLASTIC "SHARK'S TOOTH"



STANDARD PAVEMENT UNDULATION (PARABOLIC SPEED HUMP)



EFFECTIVE: 12/13/21

TOWN OF PITTSBORO

STANDARD CONSTRUCTION
DETAIL

STANDARD NO: ST-08-011