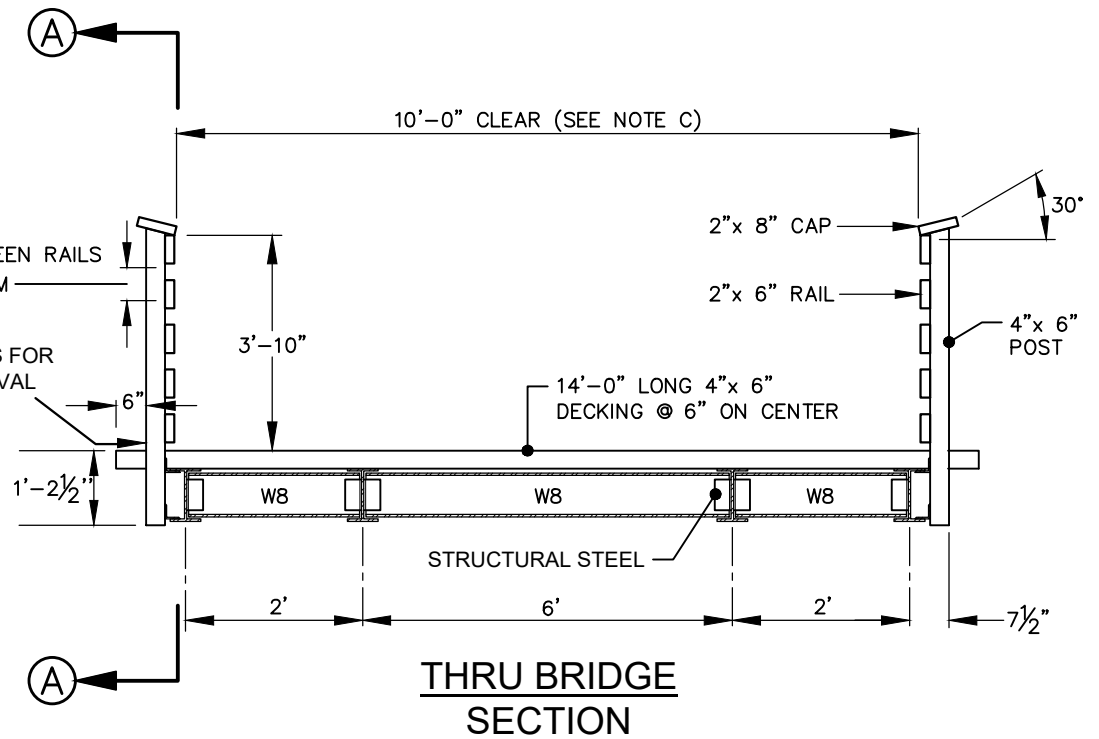


**BRIDGE POST/RAIL  
SECTION A-A**



**THRU BRIDGE  
SECTION**

**BRIDGE SPECIFICATIONS**

- A. DESIGN LOADS:
  - i. THE BRIDGE SHALL BE DESIGNED FOR AN EVENLY DISTRIBUTED LOAD OF 85 LBS PER SQ FT AND A CONCENTRATED LOAD IS 10,000 LBS AT MID-SPAN.
  - ii. BRIDGE COMPONENTS SHALL BE IN ACCORDANCE WITH THE AITC 117-2001 OR LATEST EDITION.
- B. STRUCTURAL ENGINEER SHALL PROVIDE A SEALED CERTIFICATION TO THE TOWN THAT THE STRUCTURE WAS CONSTRUCTED AND INSTALLED IN ACCORDANCE WITH APPLICABLE PLANS AND SPECIFICATIONS
- C. IF RUNNING SLOPE ON BRIDGE EXCEEDS 5%, HANDRAILS SHALL BE PROVIDED IN ACCORDANCE WITH AASHTO/ADA REQUIREMENTS; 10 FT CLEARANCE SHALL BE PROVIDED BETWEEN HANDRAILS.
- D. EXTEND RAILING 15 FT BEYOND ENDS OF BRIDGE



EFFECTIVE:12/13/21

**STEEL BEAM AND WOOD BRIDGE**

**TOWN OF PITTSBORO**

STANDARD CONSTRUCTION  
DETAIL

STANDARD NO: GR-09-004