

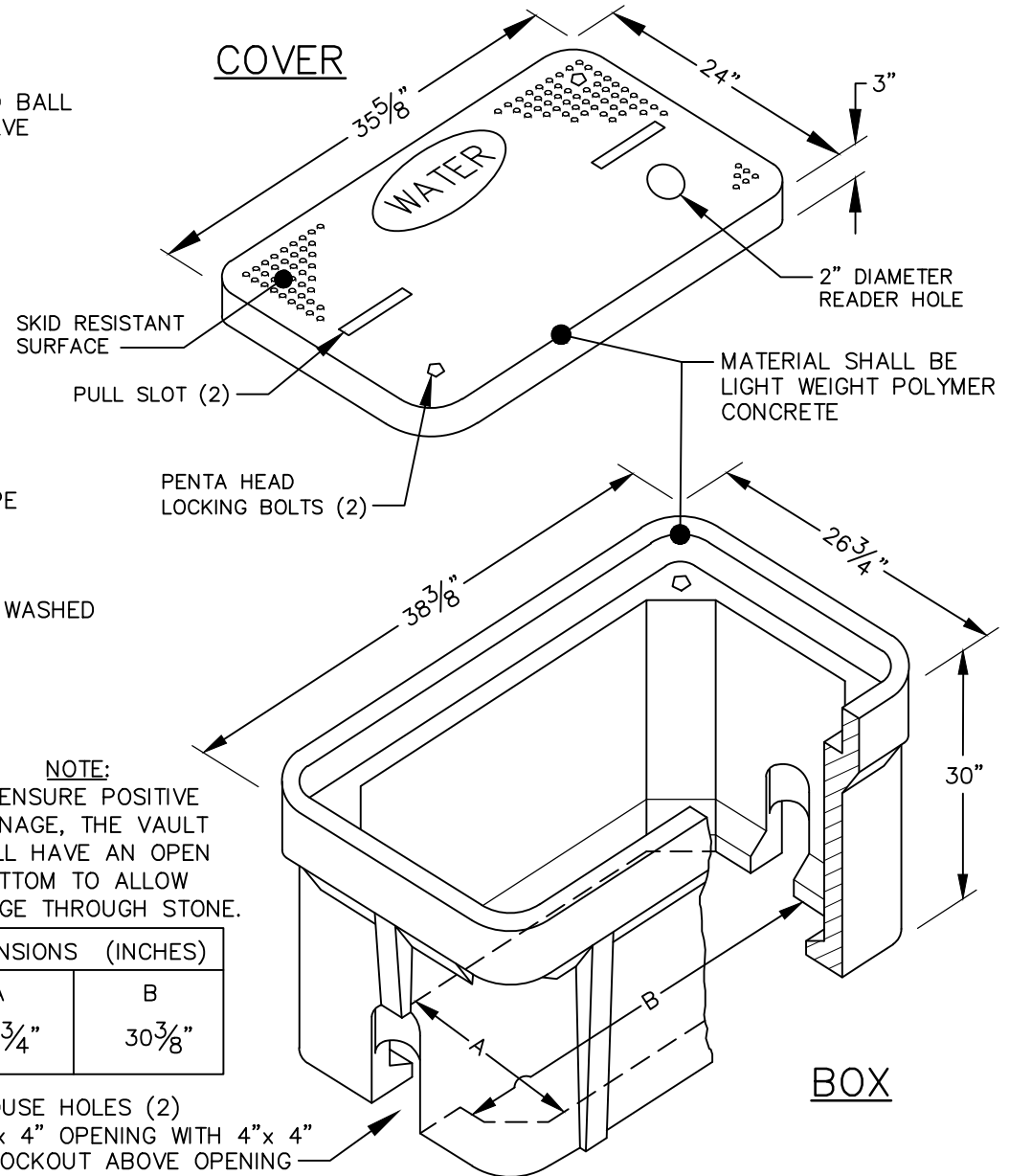
NOTES:

1. PIPING TO BE 'NO LEAD' BRASS AND COPPER TUBING. METER INLET AND OUTLET TO BE EQUIPPED WITH FLANGED BALL ANGLE METER VALVES.
2. CUSTOM SETTERS SHALL BE EQUIPPED WITH STANDARD LOW BYPASS WITH BALL VALVE AND PADLOCK WINGS.
3. CUSTOM SETTERS SHALL BE AS LISTED ON APPROVED PRODUCTS LIST.
4. ALL BRASS COMPONENTS SHALL BE 'NO LEAD' BRASS MEETING UNS C89833 AS PER ASTM B584.
5. ALL APPLICATIONS REQUIRE A SEPARATE ABOVE GROUND BACKFLOW PREVENTER.
6. CUSTOM SETTER SHALL BE INSTALLED SUCH THAT METER REGISTER IS LOCATED 5 TO 8 INCHES BELOW METER BOX COVER.

NOTE:
TO ENSURE POSITIVE DRAINAGE, THE VAULT SHALL HAVE AN OPEN BOTTOM TO ALLOW DRAINAGE THROUGH STONE.

DIMENSIONS (INCHES)	
A	B
18 3/4"	30 3/8"

MOUSE HOLES (2)
4" x 4" OPENING WITH 4" x 4" KNOCKOUT ABOVE OPENING



STANDARD 1 1/2" & 2" METER INSTALLATION & VAULT

TOWN OF PITTSBORO

STANDARD CONSTRUCTION
DETAIL

STANDARD NO: PW-03-003

EFFECTIVE: Z1XZ144