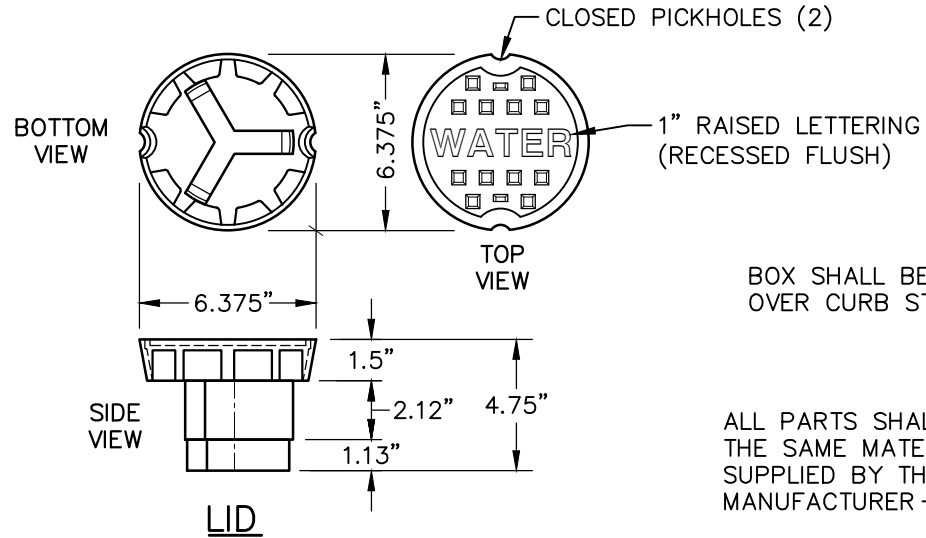
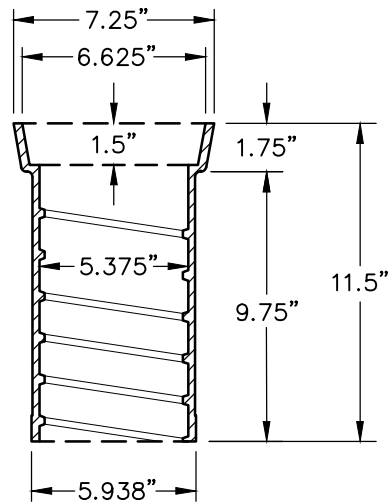


**BOTTOM SECTION**



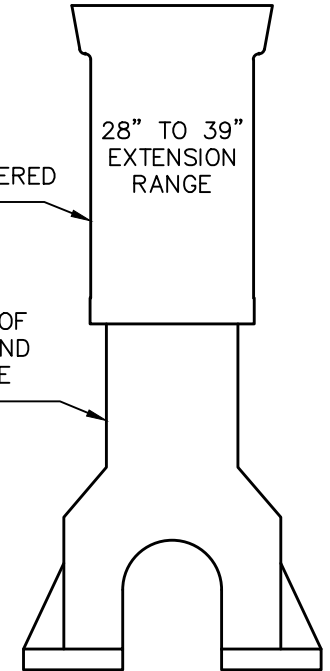
**LID**



**TOP SECTION**

BOX SHALL BE CENTERED  
OVER CURB STOP

ALL PARTS SHALL BE OF  
THE SAME MATERIAL AND  
SUPPLIED BY THE SAME  
MANUFACTURER



28" TO 39"  
EXTENSION  
RANGE

**COMPLETE BOX**

WEIGHT	
BOTTOM	29
TOP	16
LID	25
<b>TOTAL</b>	<b>70</b>

**NOTES:**

1. CURB STOP BOXES SHALL ONLY BE USED AS SPECIFIED ON DETAIL DRAWINGS.
2. MOUSE HOLES SHALL BE COVERED WITH FILTER FABRIC PRIOR TO BACKFILLING.
3. ENTIRE VALVE BOX ASSEMBLY & COVER SHALL BE CAST FROM CLASS 35 GRAY IRON.
4. ASSEMBLY SHALL BE DOMESTICALLY MADE AND MANUFACTURED IN THE U.S.A.

ΔΥΝΑΜΕΙΣ ΤΗΣ ΕΠΙΧΕΙΡΗΣΗΣ