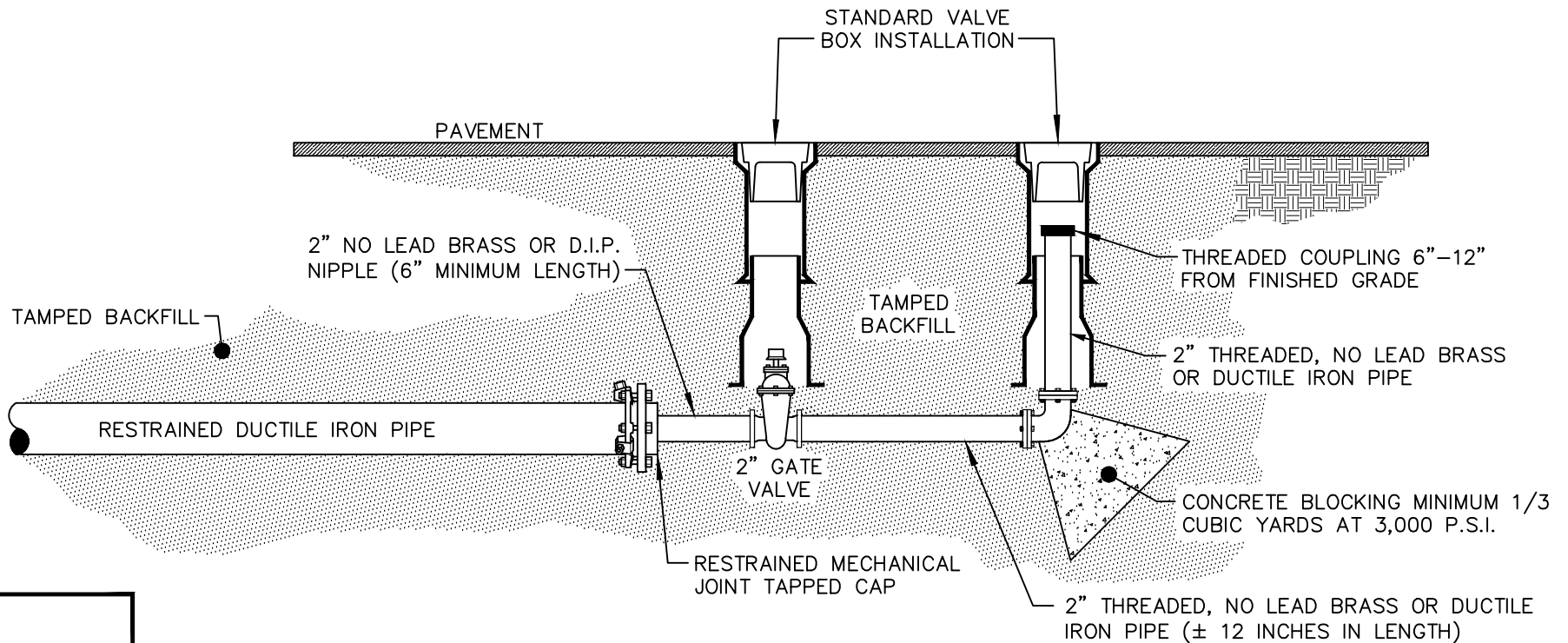


MAIN SIZE	END PIPE SIZE
4" - 12"	2" BLOW-OFF
14" & GREATER	AS APPROVED

NOTES:

1. FOR MAINS THAT ARE TO BE EXTENDED, USE A VALVE EQUAL TO THE MAIN SIZE AS THE BLOW-OFF VALVE AND THEN REDUCE TO THE 2 INCH STANDPIPE.
2. PIPE SHALL BE RESTRAINED AWAY FROM THE TAPPED CAP.
3. STANDPIPE SHALL BE INSTALLED SO THAT IT IS CENTERED TO THE MAIN.



STANDARD 2" BLOW-OFF ASSEMBLY

EFFECTIVE: X/XX/22