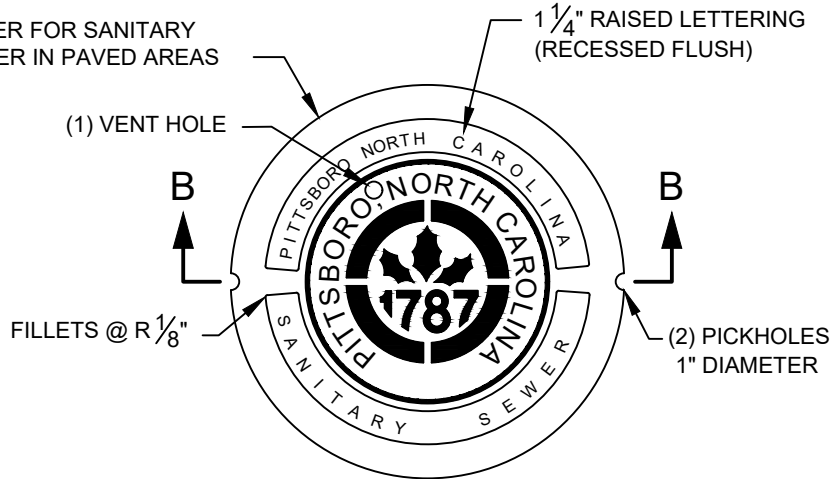
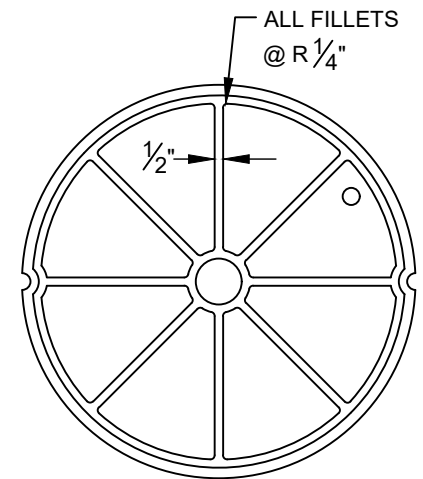


RING TOP VIEW

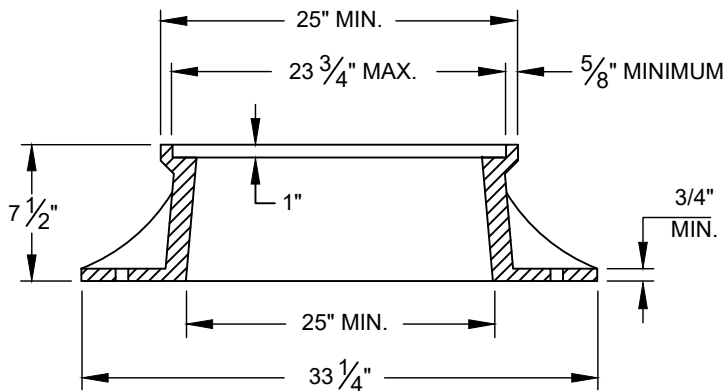
COVER FOR SANITARY SEWER IN PAVED AREAS



COVER TOP VIEW



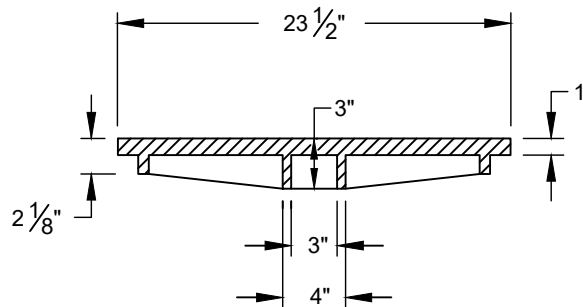
COVER BOTTOM VIEW



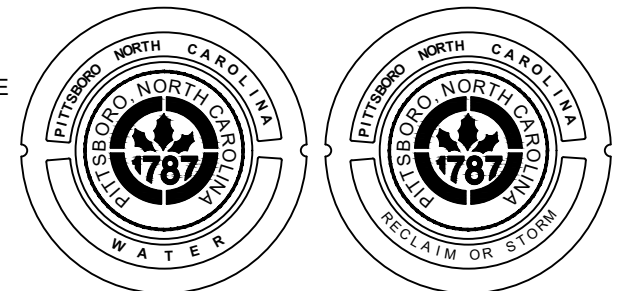
SECTION "A-A"

NOTE:

LABELING OF RECLAIM/STORM MANHOLE COVER TO BE ONE OR OTHER, NOT LABELED WITH BOTH.



SECTION "B-B"



ALTERNATE LETTERING

SPECIFICATIONS:

1. CLASS 35 GRAY IRON.
2. COMPLIES WITH ASTM A48 CL35B.
3. ALL LETTERING SHALL BE CLEAN, CRISP, AND CLEARLY LEGIBLE.
4. DOMESTICALLY MADE & MANUFACTURED IN THE USA.

MINIMUM WEIGHTS

RING	190
COVER	120
TOTAL	310

EFFECTIVE: [] [] [] []

TOWN OF PITTSBORO

STANDARD CONSTRUCTION
DETAIL

STANDARD NO: SS-04-00 []