

COVER TOP VIEW

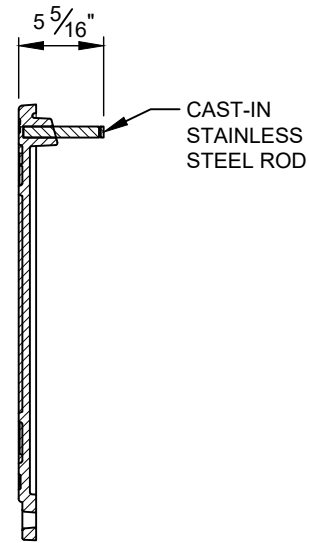
(3) HEX HEAD $\frac{3}{8}$ "-16
ZINC PLATED BOLT WITH ZINC WASHER
& ZINC COATED STAINLESS STEEL NUT

SPECIFICATIONS:

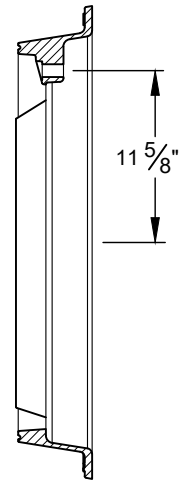
1. GRAY IRON.
2. COMPLIES WITH ASTM A48 CL35B.
3. ALL LETTERING SHALL BE CLEAN, CRISP, AND CLEARLY LEGIBLE.
4. DOMESTICALLY MADE AND MANUFACTURED IN THE USA.

$1\frac{1}{2}$ " RAISED LETTERING
(RECESSED FLUSH)

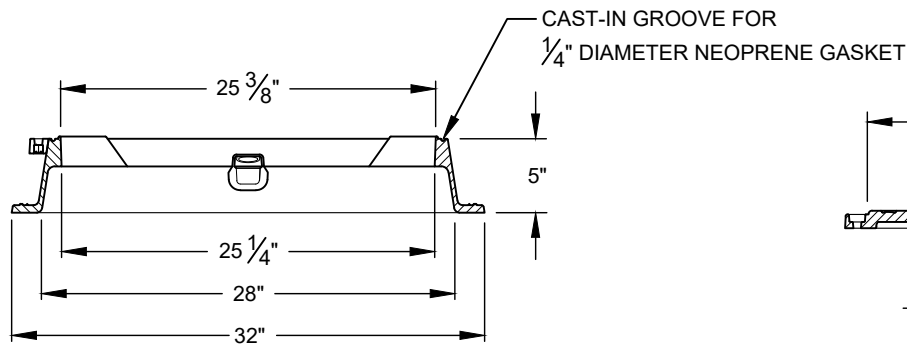
(4) 1" DIA. HANDLING HOLES
ON A $29\frac{3}{4}$ " DIA. B.C.



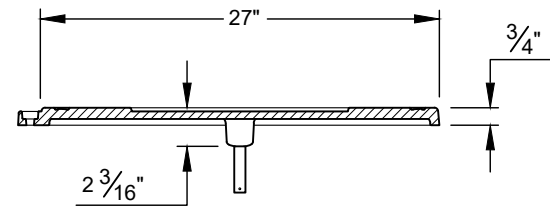
COVER SECTION B-B



FRAME SECTION B-B



FRAME SECTION A-A



COVER SECTION A-A

**STANDARD MANHOLE RING AND COVER
(OUTFALLS OR UNPAVED AREAS - WATERTIGHT APPLICATIONS)**

TOWN OF PITTSBORO

STANDARD CONSTRUCTION
DETAIL

STANDARD NO: SS-04-00

EFFECTIVE: []