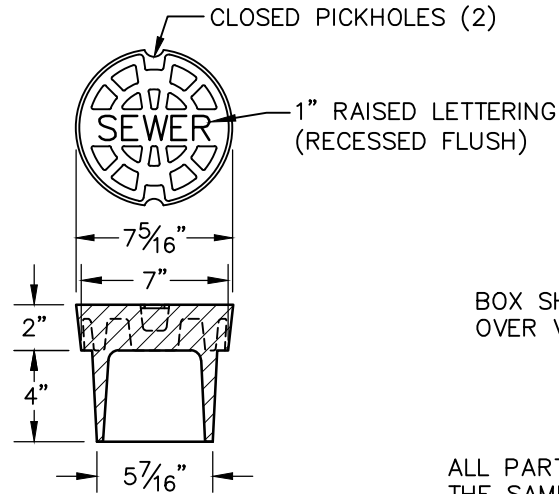
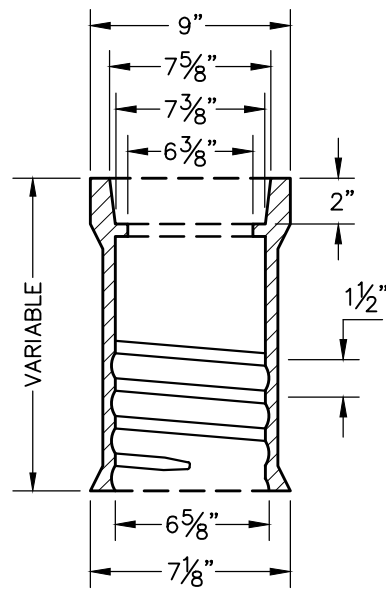


BOTTOM SECTION



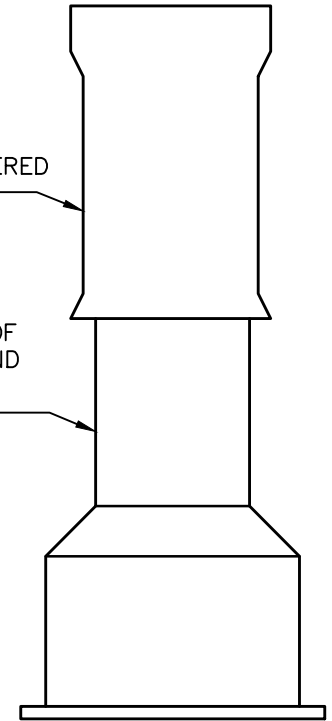
LID



TOP SECTION

BOX SHALL BE CENTERED  
OVER VALVE

ALL PARTS SHALL BE OF  
THE SAME MATERIAL AND  
SUPPLIED BY THE SAME  
MANUFACTURER



COMPLETE BOX

NOTES:

1. VALVE BOX COVER SHALL WEIGH A MINIMUM 24 lbs.
2. ENTIRE VALVE BOX ASSEMBLY & COVER SHALL BE CAST FROM CLASS 35 GRAY IRON.
3. ASSEMBLY SHALL BE DOMESTICALLY MADE AND MANUFACTURED IN THE U.S.A.

EFFECTIVE: X/X/22

ÙVCEPÖCEÜÖÁÁÚŠWÕÁXCEŠXÒÁÓÚÝ

**TOWN OF PITTSBORO**

STANDARD CONSTRUCTION  
DETAIL

STANDARD NO: SS-04-039