

(2) 1/2" x 1 3/4" HEX HEAD, TYPE 316 STAINLESS STEEL BOLTS AND WASHERS AT 180° COUNTERSUNK

(2) PICKHOLES 1" DIAMETER



COVER TOP VIEW

RING & COVER SPECIFICATIONS:

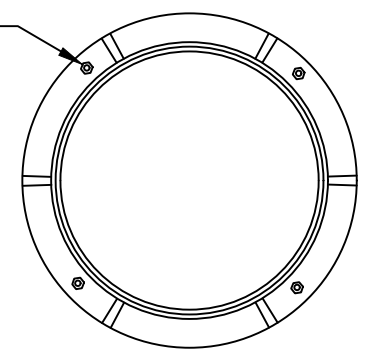
1. CLASS 35 GREY IRON.
2. COMPLIES WITH ASTM A48 CL35B.
3. ALL LETTERING SHALL BE CLEAN, CRISP, AND CLEARLY LEGIBLE.
4. DOMESTICALLY MADE AND MANUFACTURED IN THE USA.
5. MINIMUM WEIGHTS: RING = 180, COVER = 120.

(4) 3/8" x 4 1/2" ANCHOR BOLTS

MANHOLE SIZES:

- 4' UP TO 18" FORCE MAIN AND 5' DEPTH.
- 5' UP TO 24" FORCE MAIN AND 6' DEPTH.
- 6' UP TO 36" FORCE MAIN AND 10' DEPTH.

UP SIZE IF BOTH CRITERIA ARE NOT MET.
 DEPTH MEASURED FROM TOP OF PIPE TO FINISHED GRADE.

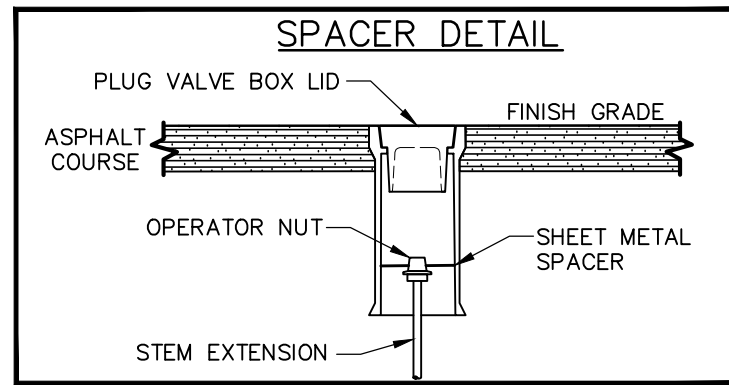


RING TOP VIEW

JOINT RESTRAINT SHALL BE POLY WRAPPED

NOTES:

1. PROVIDE PIPE SUPPORT IF MORE THAN 50% OF THE VALVE IS IN THE MANHOLE.
2. TOP OF MANHOLE SHALL NOT BE WITHIN ASPHALT COURSE. ONE GRADE RING MAY BE USED WHEN ASPHALT DEPTH EXCEEDS 7 INCHES. THREADED ANCHOR BOLT SHALL EXTEND A MINIMUM 4 INCHES INTO MANHOLE TOP.



TOWN OF PITTSBORO
 STANDARD CONSTRUCTION
 DETAIL
 STANDARD NOTES