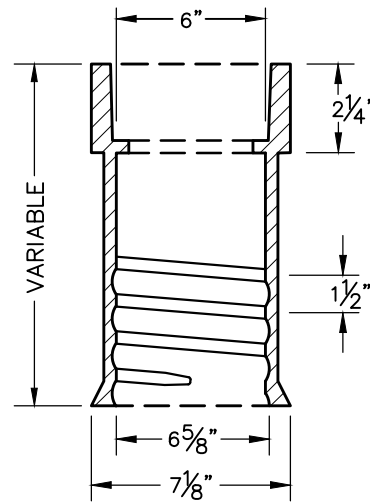
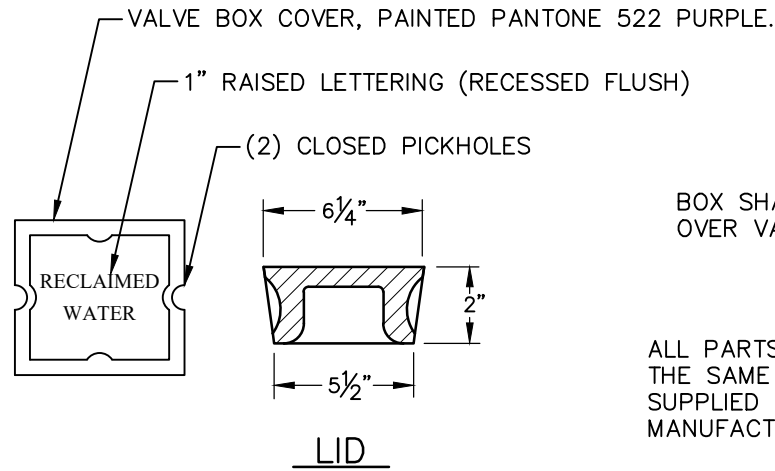


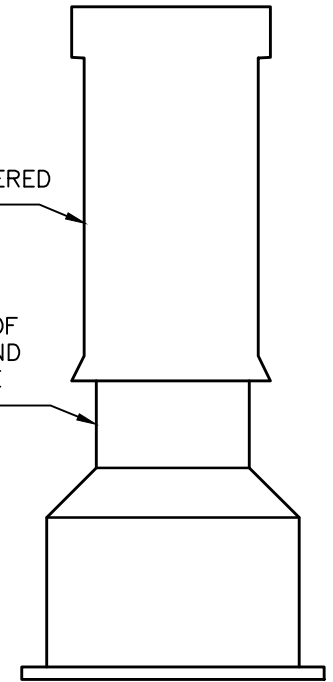
BOTTOM SECTION



SQUARE UPPER SECTION

BOX SHALL BE CENTERED OVER VALVE

ALL PARTS SHALL BE OF THE SAME MATERIAL AND SUPPLIED BY THE SAME MANUFACTURER



COMPLETE BOX

NOTES:

1. VALVE BOX COVER SHALL WEIGH A MINIMUM 13 lbs.
2. ENTIRE VALVE BOX ASSEMBLY & COVER SHALL BE CAST FROM CLASS 35 GRAY IRON.
3. ASSEMBLY SHALL BE DOMESTICALLY MADE AND MANUFACTURED IN THE U.S.A.



EFFECTIVE: 8/22/22

STANDARD VALVE BOX FOR RECLAIMED WATER

TOWN OF PITTSBORO

STANDARD CONSTRUCTION
DETAIL

STANDARD NO: RW-06-014