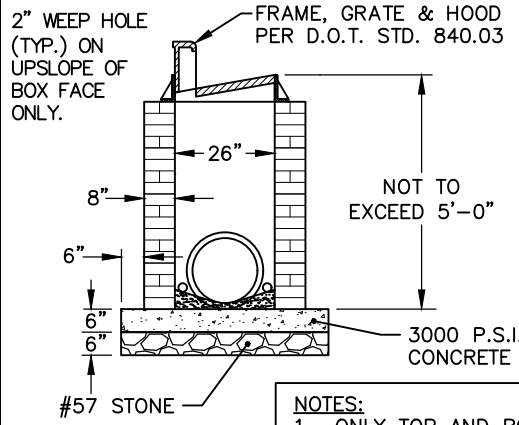
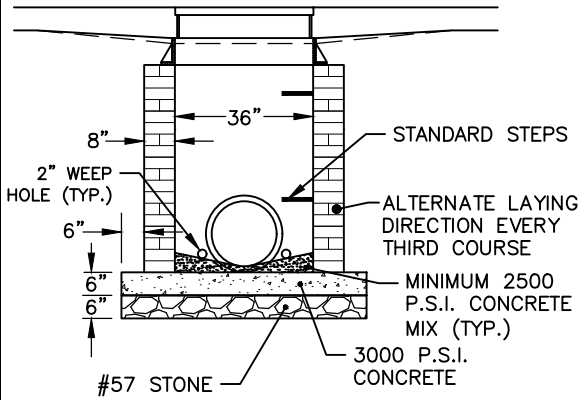


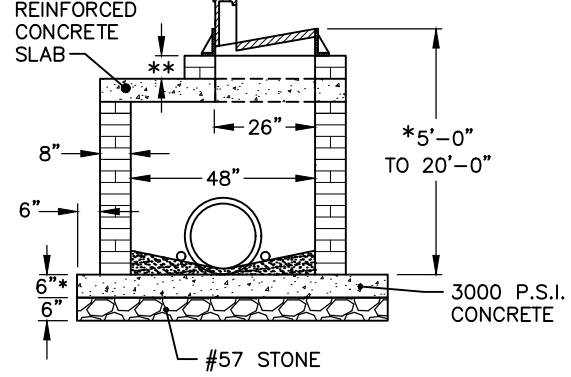
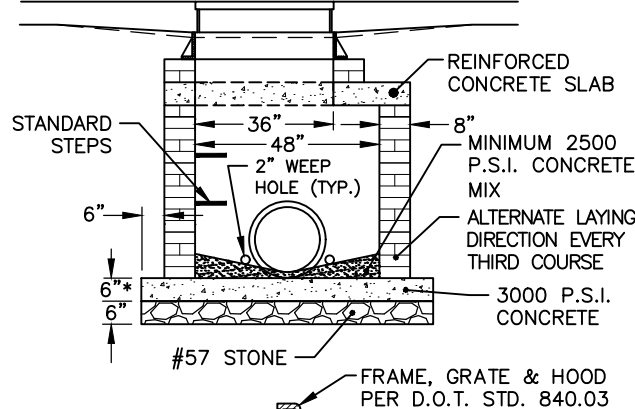
### SHALLOW TYPE

(5 FEET OR LESS IN DEPTH)

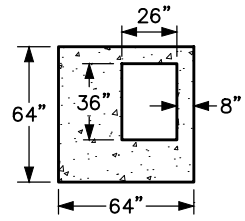


### INTERMEDIATE TYPE (4'X4')

(5 FEET TO 20 FEET IN DEPTH)

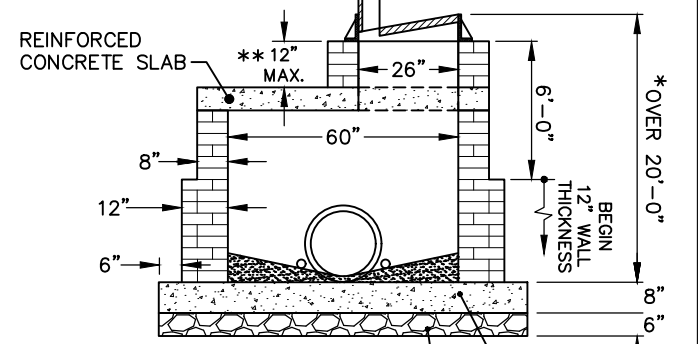
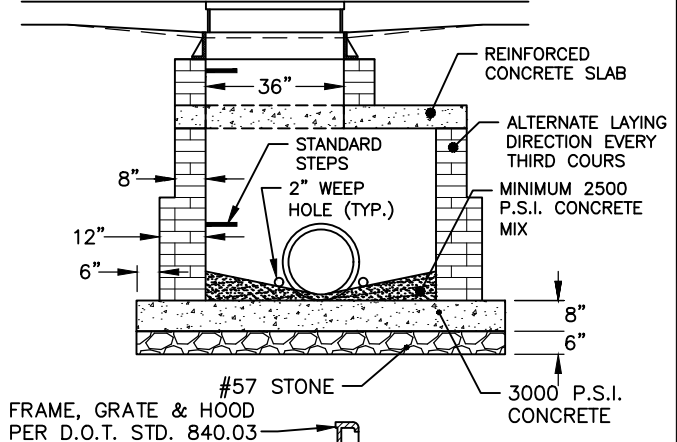


### SLAB DETAIL

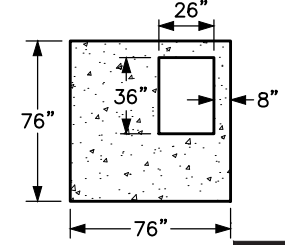


### DEEP TYPE (5'X5')

(OVER 20 FEET IN DEPTH)



### SLAB DETAIL



- NOTES:**
1. ONLY TOP AND BOTTOM STEPS REQUIRED ON BOXES INSTALLED IN THE PUBLIC RIGHT-OF-WAY.
  2. SLAB THICKNESS AND REINFORCEMENT FOR SOIL AND TRAFFIC LOADING BY AN ENGINEER.
  3. PLACE SAND BAG FILLED WITH #57 STONE OVER WEEP HOLES ON EXTERIOR OF BOX.
- \* OVER 8' IN DEPTH, 12" WALL THICKNESS TO 6' FROM TOP OF WALL, AND 8' BOTTOM SLAB SHALL BE USED.
- \*\* BRICK MAY BE USED TO ADJUST FRAME, GRATE & HOOD TO SURFACE ELEVATION A MAXIMUM OF 12 INCHES.



EFFECTIVE: 11/28/22

## STANDARD CONCRETE BLOCK OR BRICK CATCH BASIN

TOWN OF PITTSBORO

STANDARD CONSTRUCTION DETAIL

STANDARD NO: SD-07-002